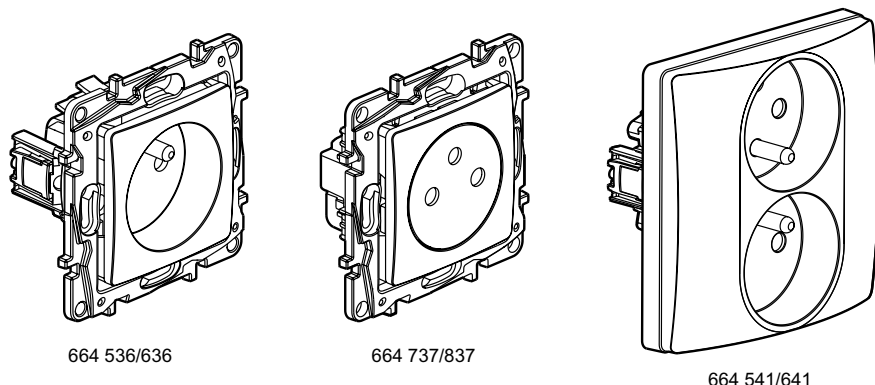


Niloé™ Sockets

Cat. No(s) : 664 530/536/538/540/541/542
664 630/636/638/640/641/642
664 734/737/745/834/837/845



CONTENTS	Page
1. Use.....	1
2. Range.....	1
3. Positioning.....	1
4. Overall dimensions.....	2
5. Connection.....	3
6. Technical features.....	3
7. Maintenance.....	3
8. Standards - Approvals.....	3

1. USE

French/Belgian standard 16 A - 250 VAC socket outlets.
Mechanisms supplied with cover plates and supports (except for compact 2 x 2 P + E double sockets for one-gang mount, which are supplied complete with plate).
Mechanisms to be fitted with finishing plates. Supplied with site protective cover.
Flush-mounting or surface-mounting.

2. RANGE

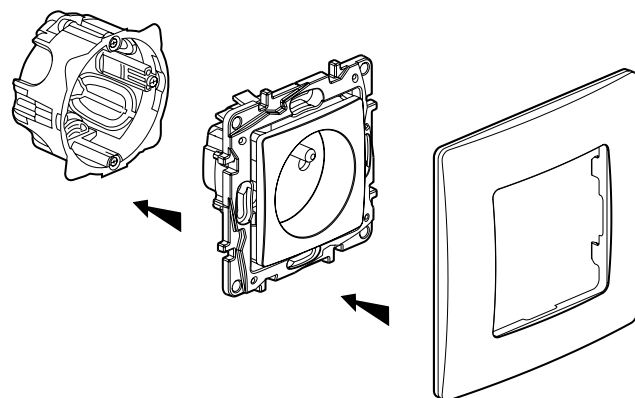
	Description	Colour		Connection	Weight
		White	Ivory		
	2 P + E socket 16 A with claws Franco-Belgian	664 540	664 640	With screws	42
	2 P + E socket 16 A with claws Franco-Belgian	664 536 *	664 636 *	Automatic terminals	
	2 P + E sockets 16 A flush-mounted Franco-Belgian	664 737 *	664 837 *	Automatic terminals	49
	2-gang sockets 2 P + E - 16 A prewired 2-gang Franco-Belgian	664 745 *	664 845 *		
	2-gang sockets 2 P + E - 16 A Compact 1-gang installation with claws Franco-Belgian	664 541 *	664 641 *	Automatic terminals	75
	2-gang sockets 2 P + E - 16 A Compact 1-gang installation with claws Franco-Belgian	664 542	664 642	With screws	75

2. RANGE (continued)

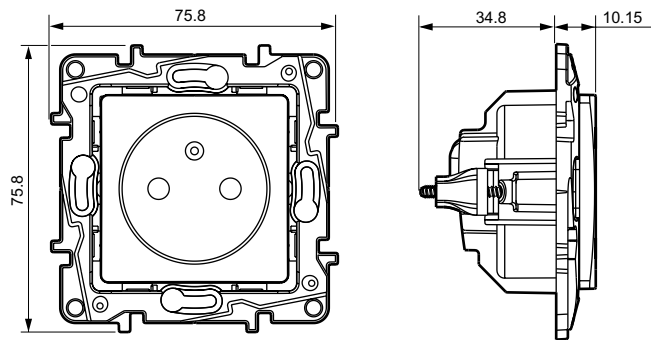
	Description	Colour		Connection	Weight
		White	Ivory		
	2 P socket 16 A	664 734 *	664 834 *	With screws	37
	2 P socket 16 A with claws	664 538	664 638		
	2 P + T socket 16 A with claws Schuko	664 530 *	664 630 *		45

* Socket outlets with safety shutter

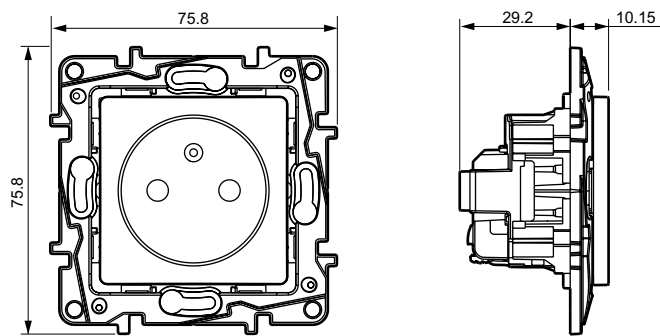
3. POSITIONING



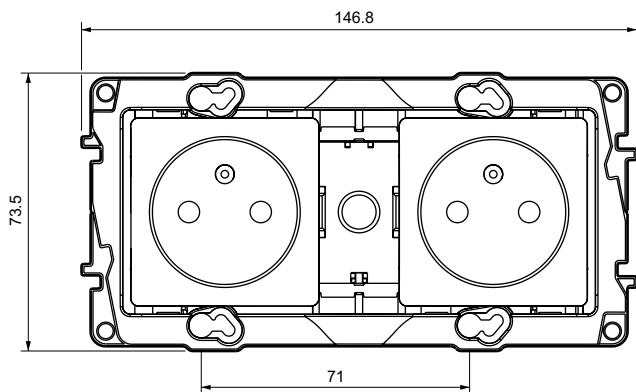
4. OVERALL DIMENSIONS



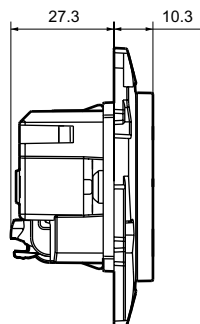
Cat. Nos 664 540/640



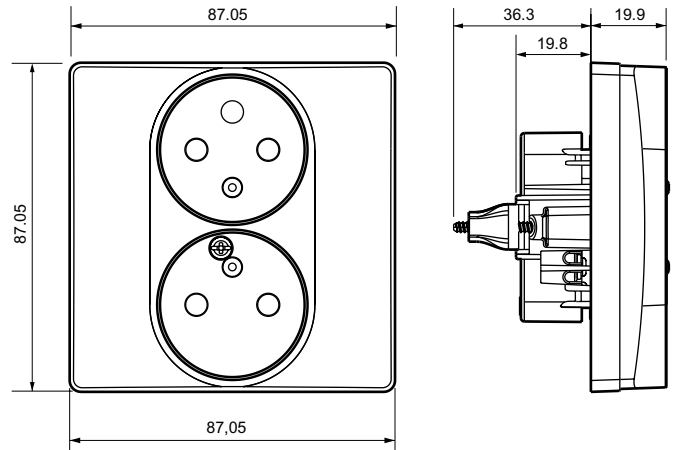
Cat. Nos 664 737/837



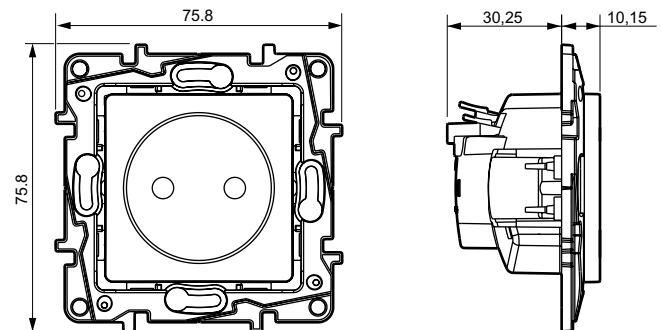
Cat. Nos 664 745/845



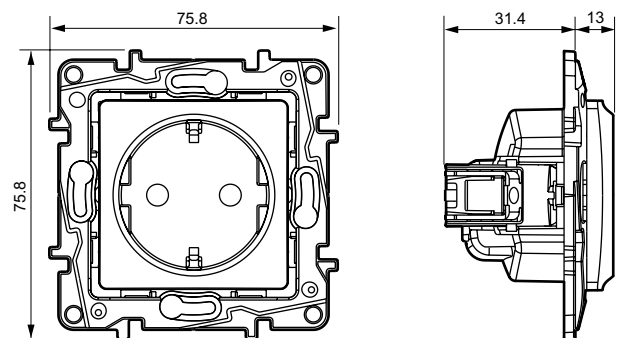
4. OVERALL DIMENSIONS (continued)



Cat. Nos 664 542/642



Cat. Nos 664 734/834



Cat. Nos 664 530/630

5. CONNECTION

Cat. No 664 536/541/636/641/737/745/837/845

Automatic terminals

Terminal capacity: 2 x 2.5 mm²

Stripping length: 13 mm (stripping length marked on the product).

Cat. No 664 530/538/540/542/630/638/640/642/734/834/

Screw terminals

Terminal capacity: 2 x 2.5 mm²

Tightening torque: 0.8 Nm

Stripping length: 13 mm

Screwdriver: Posidrive 1, Phillips 1, 4 mm flat screwdriver.

6. TECHNICAL FEATURES

6.1 Mechanical features

IP 31

IK 04

6.2 Materials

Poly gloss appearance

Colour: White (RAL 903) and Ivory (RAL 113)

Material: - Plate ABS

- Socket cover plate polycarbonate

- Halogen-free

Self-extinguishing: - 850°C/30 s for insulating parts holding live parts in place

- 650°C/30 s for other parts made of insulating materials

UV resistant

6.3 Electrical features

Voltage: 250 VAC

Current: 16 A

6.4 Climatic features

Storage and usage temperature: - 5°C to + 35°C

6. TECHNICAL FEATURES (continued)

6.5 Features of the support

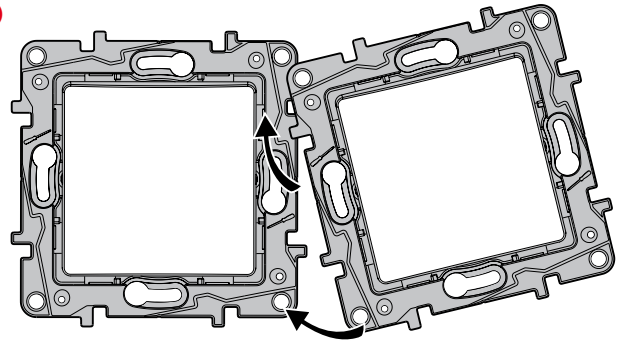
Material: Grey (RAL 737) halogen-free polycarbonate.

High impact resistance and torsional strength due to the thickness of the support.

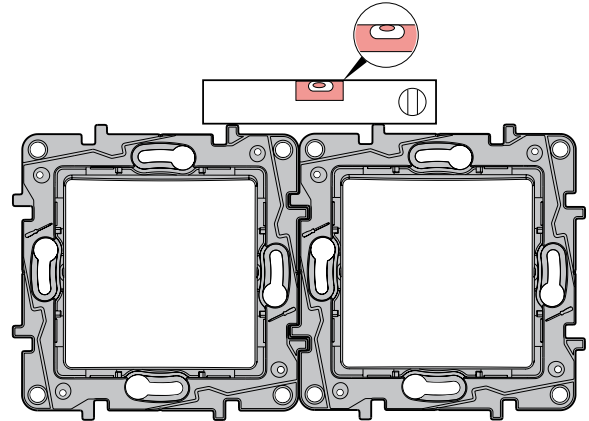
Easy guidance for positioning the mechanisms.

Horizontal or vertical alignment without lifting up the mechanisms too much.

1



2



6.6 Features of the cover

Material: APET, polyester-based plate, very clear, highly resistant to impacts and chemical agents.

7. MAINTENANCE

Easy-clean (due to poly gloss surface).

8. STANDARDS AND APPROVALS

- NF agreement 603936

- OC certificats FR 603936

- BBJ, VDE, MEEI, GOST, TSE (planned)